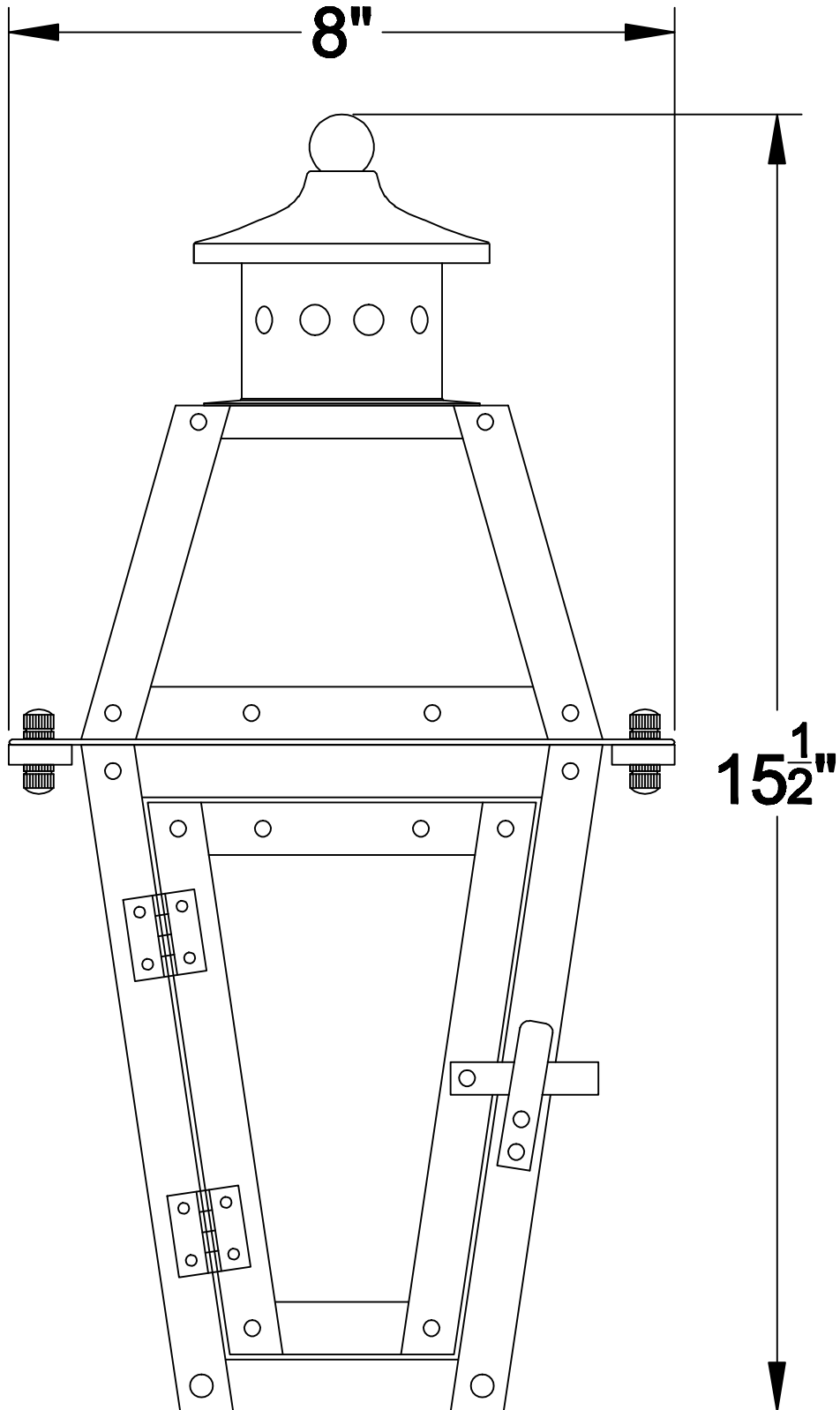
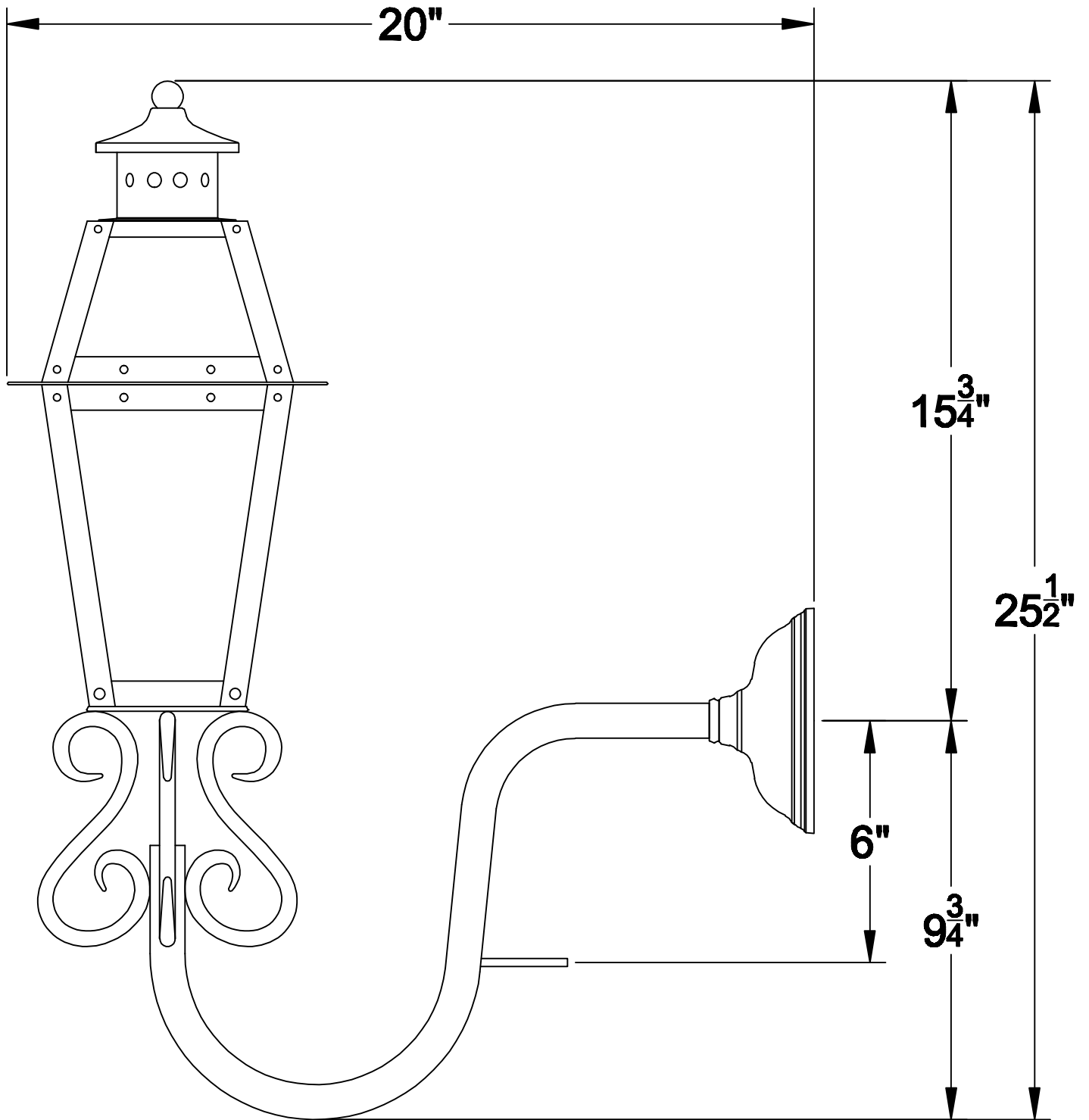


OL-15



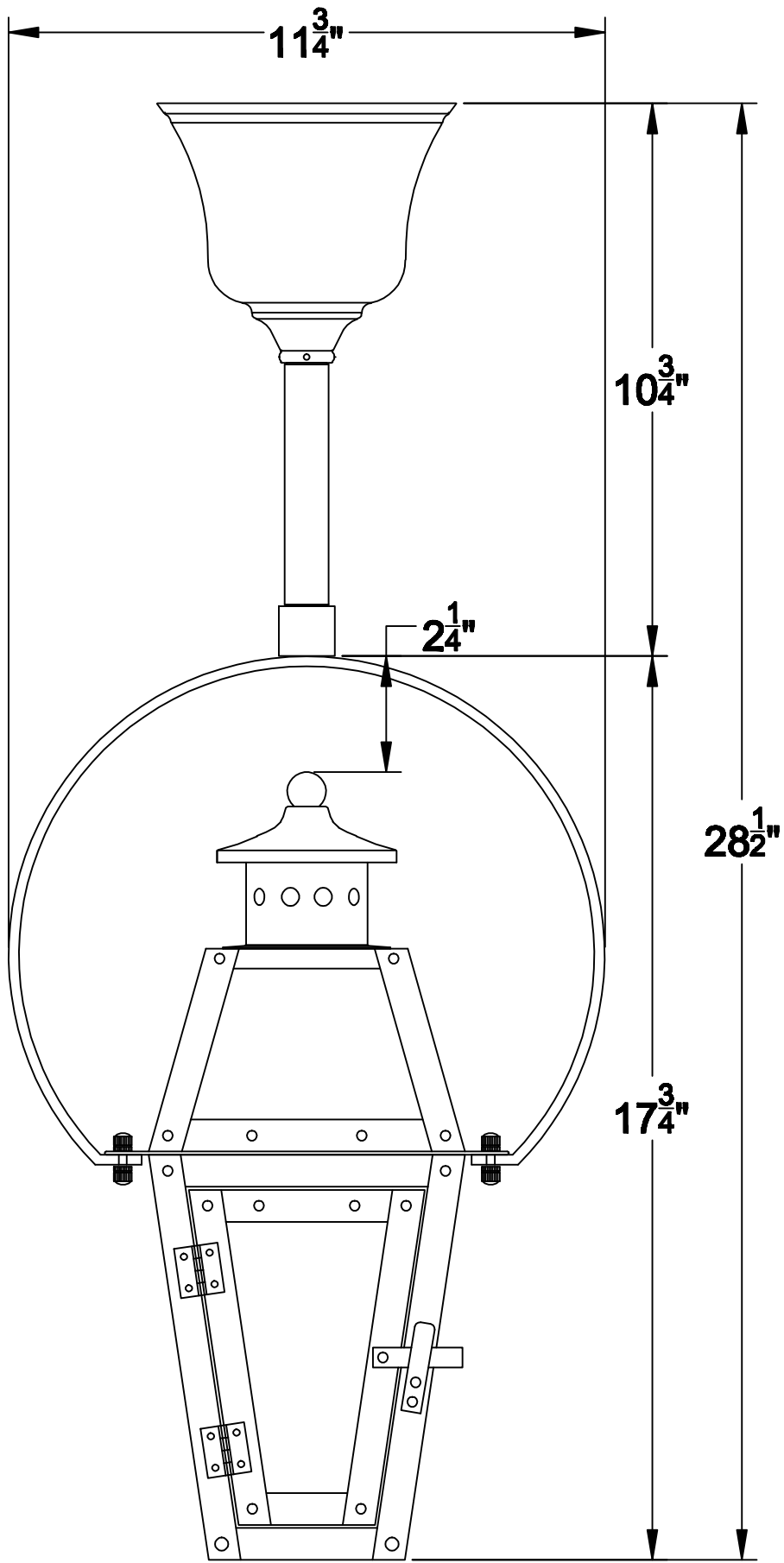
Front

OL-15



GN

OL-15



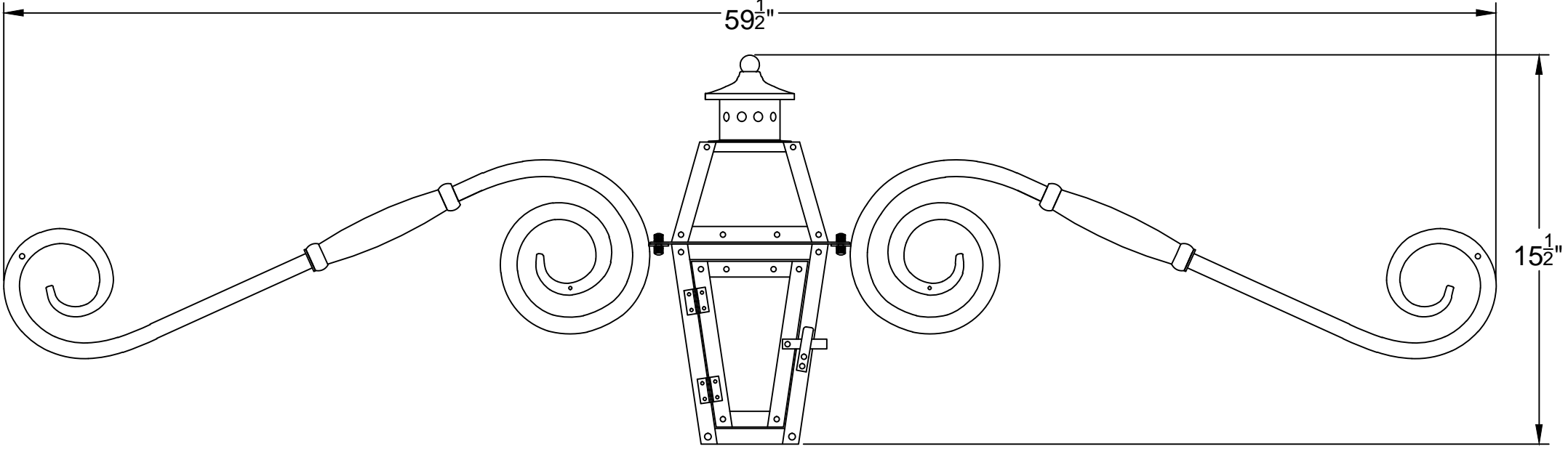
HY-1

OL-15

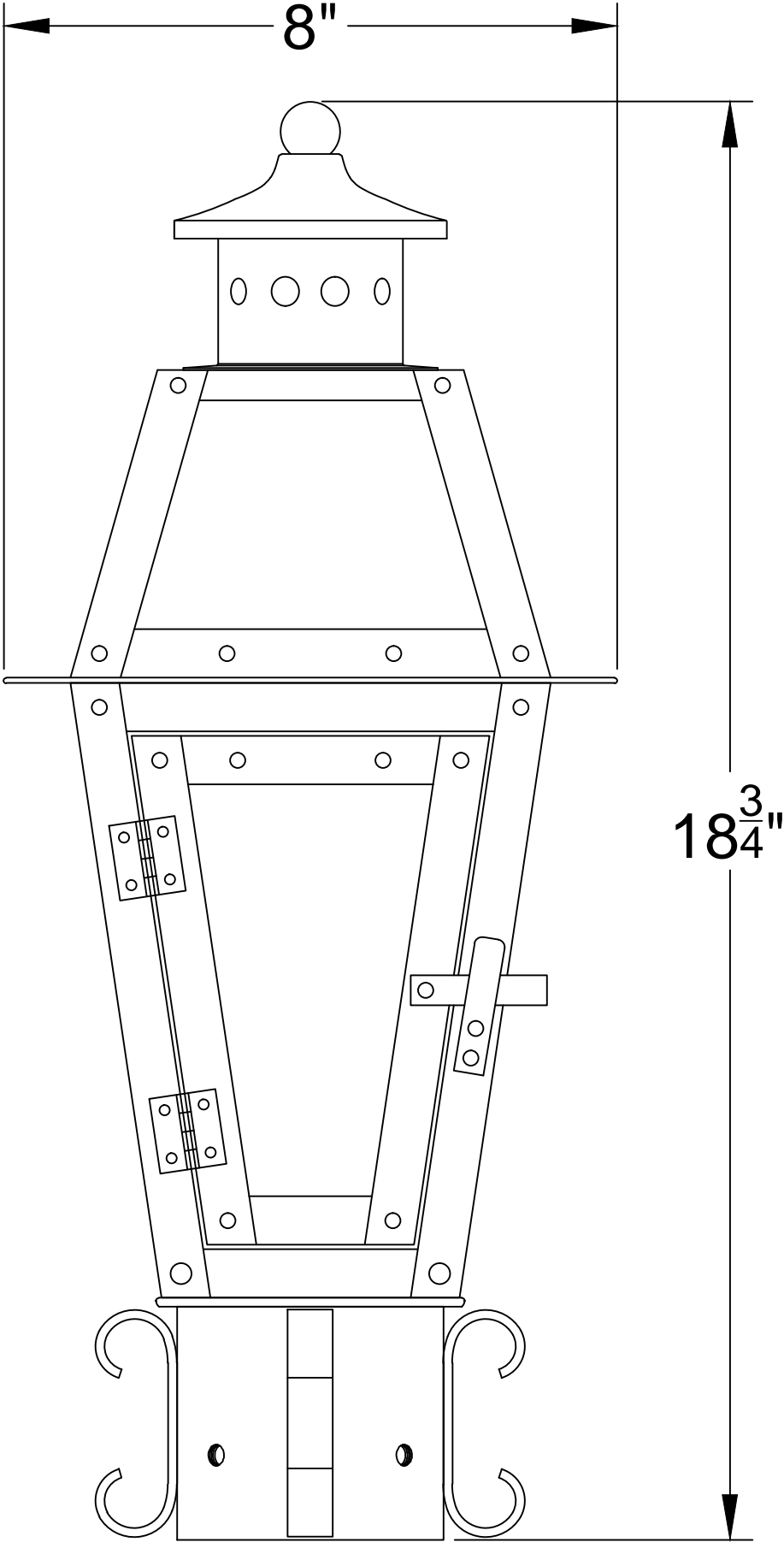
59 $\frac{1}{2}$ "

15 $\frac{1}{2}$ "

MU

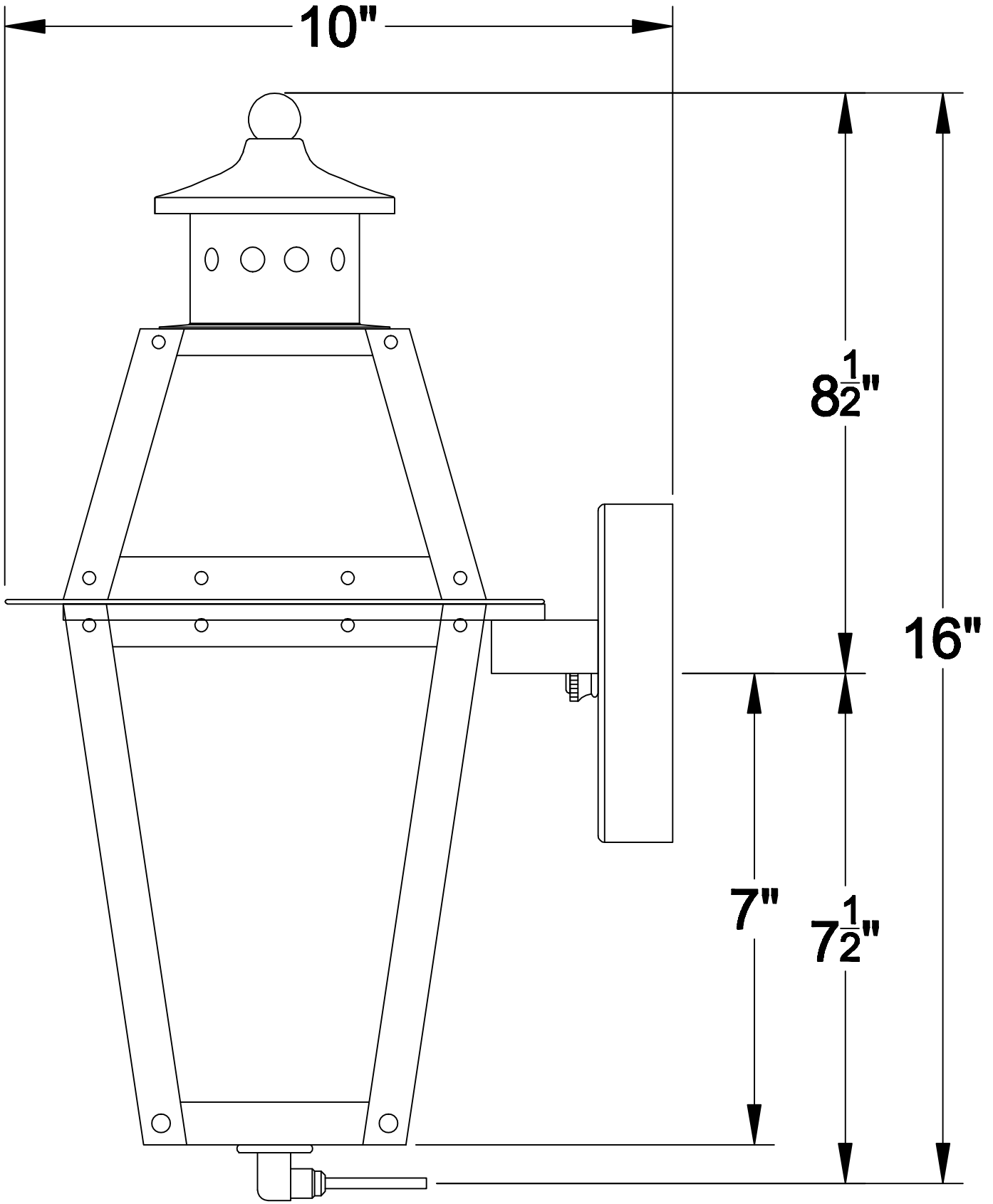


OL-15



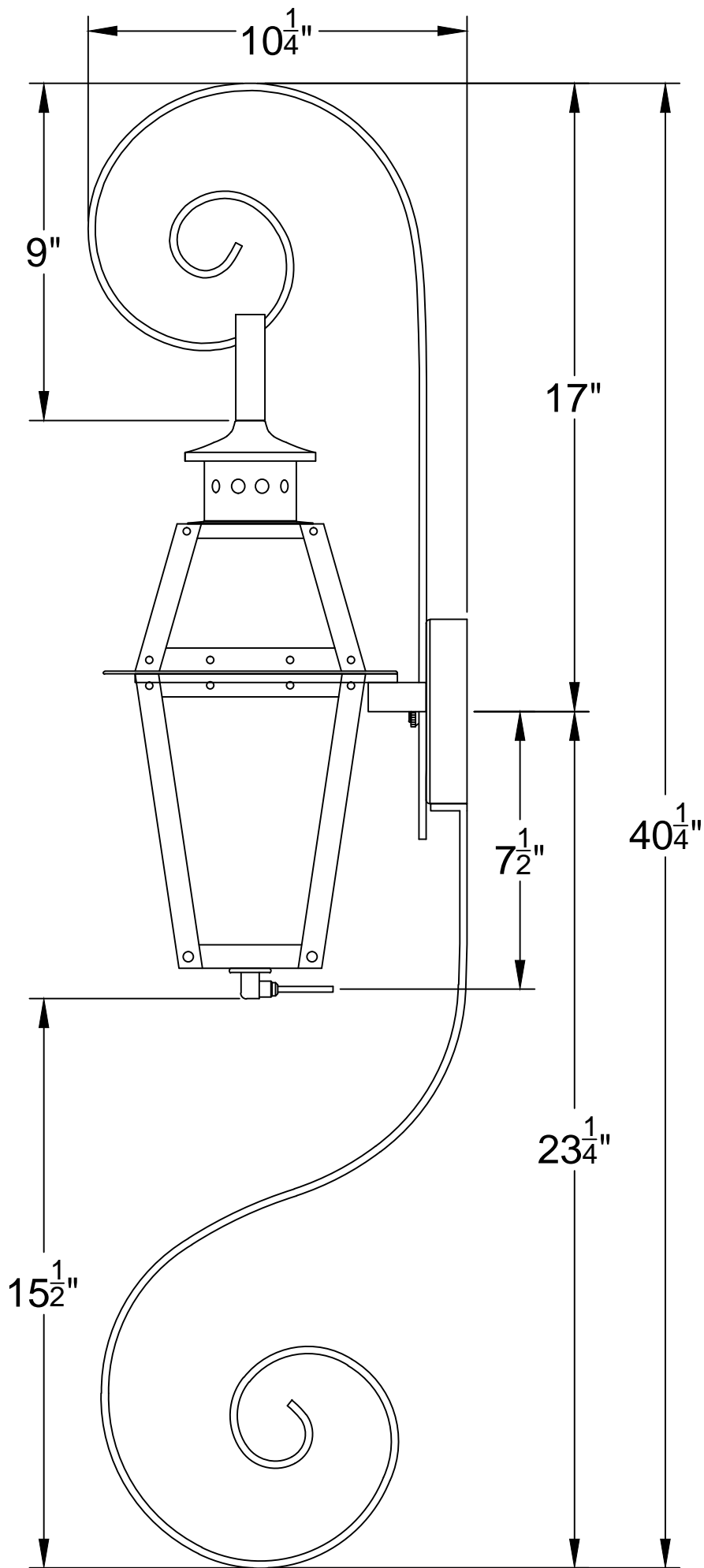
PM

OL-15



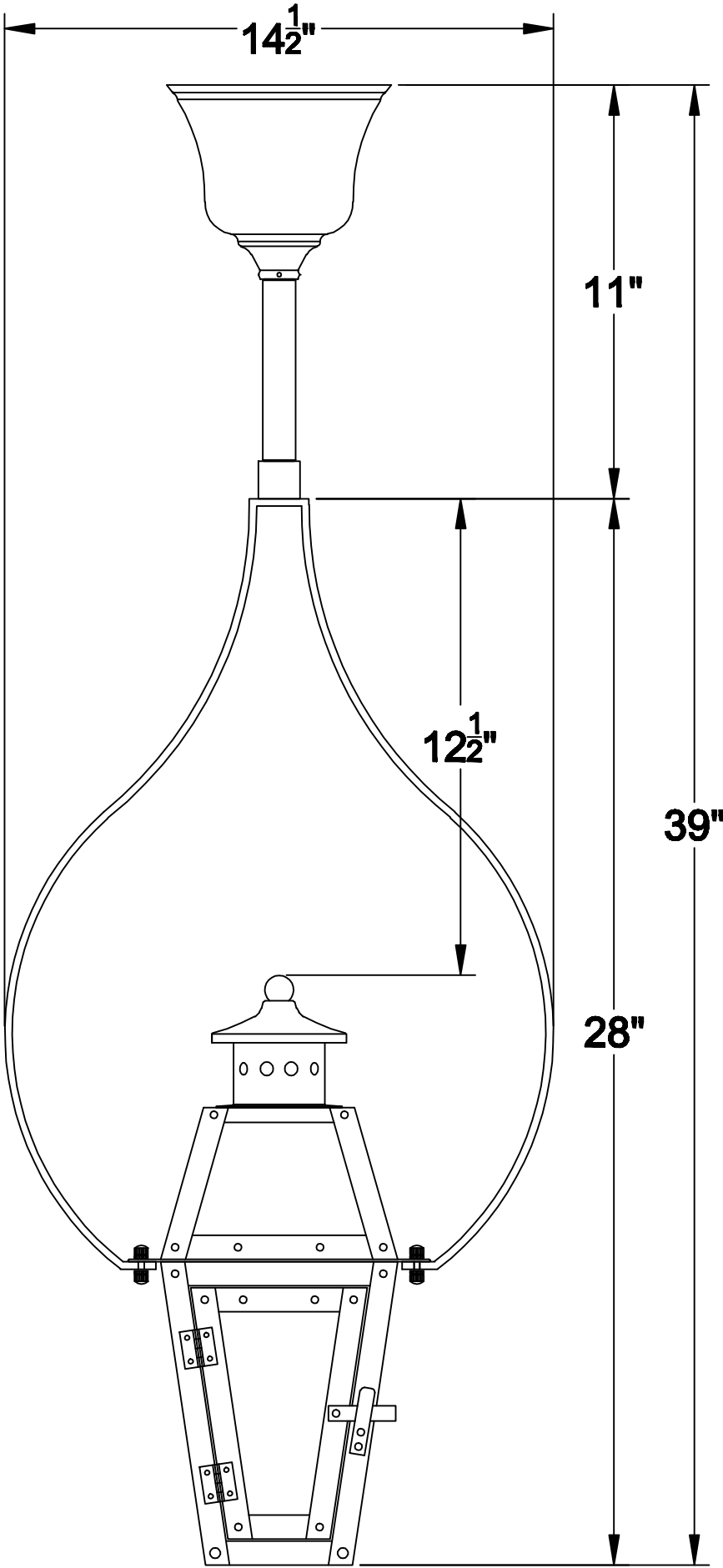
Side

OL-15



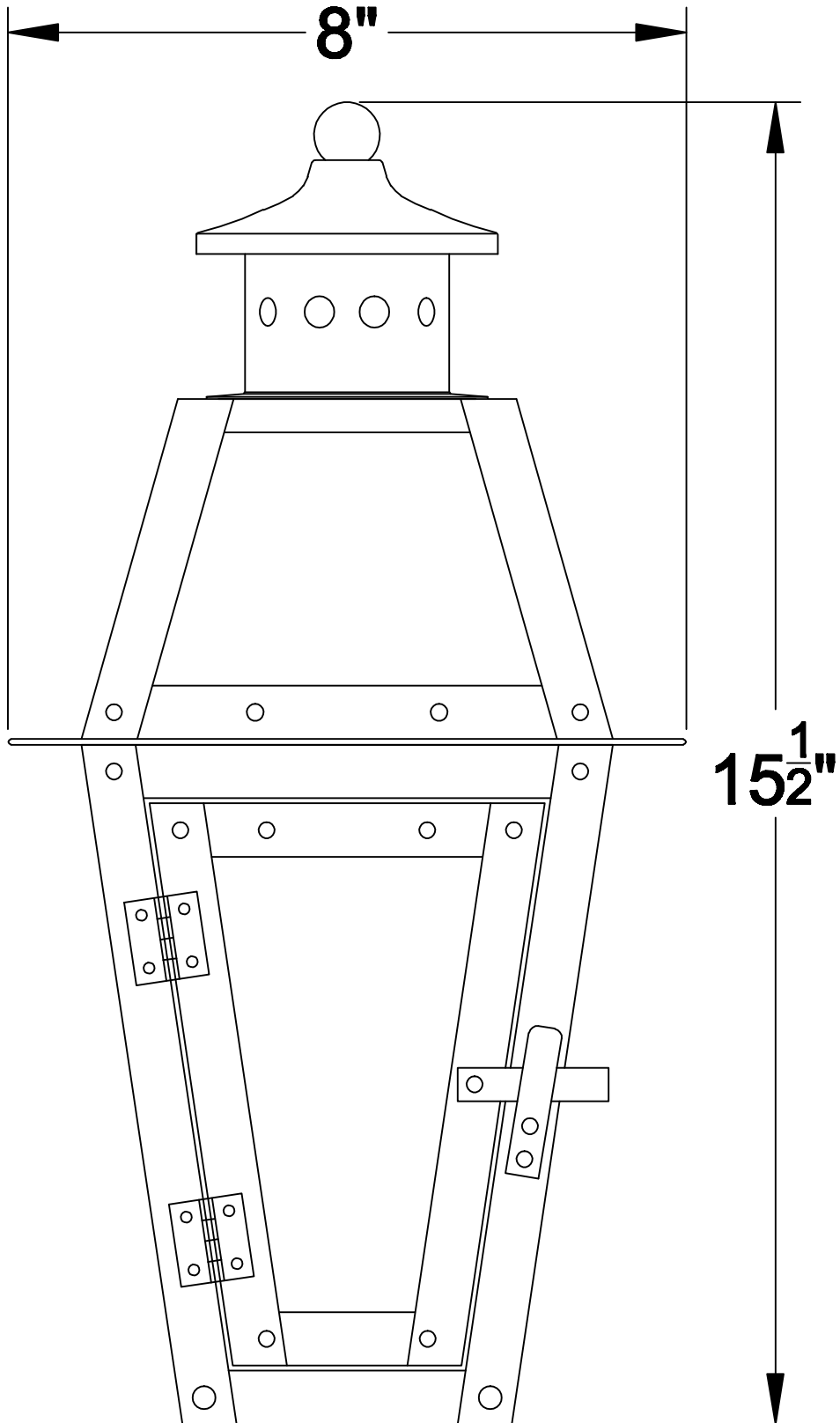
TS-1 BS-1

OL-15



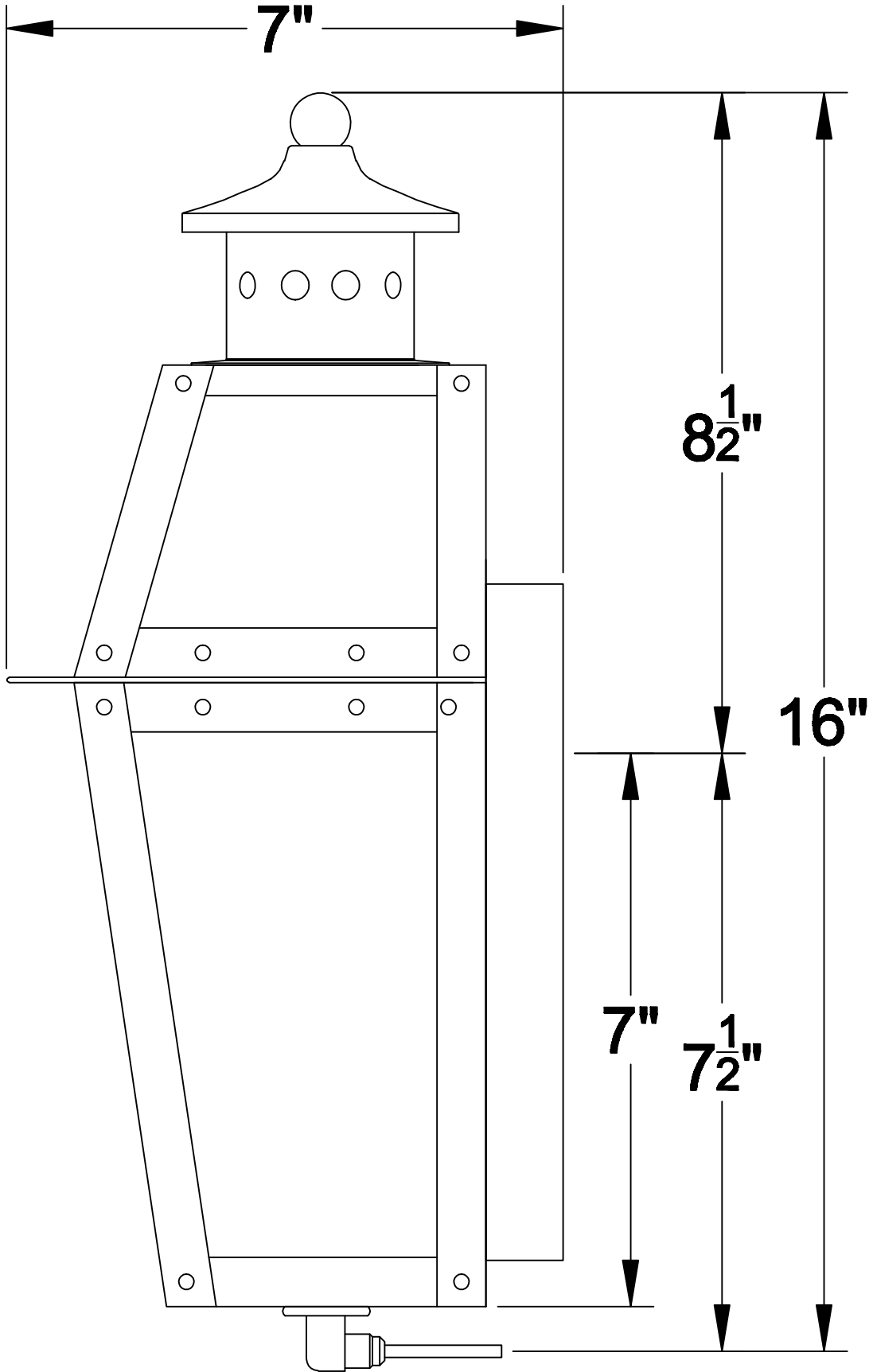
TY-1

OL-15F



Front

OL-15F



Side